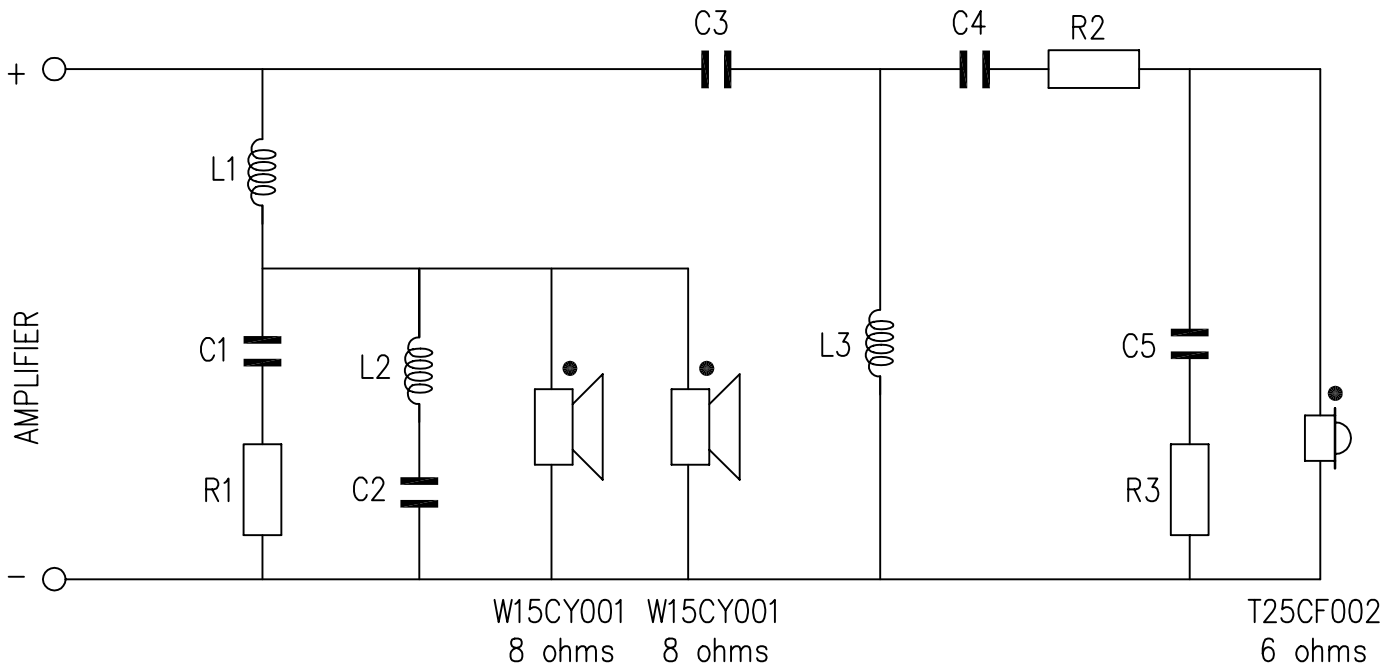


CROSSOVER NETWORK for FROY Mk3



COILS	CAPACITORS	RESISTORS
L1=0,68mH - ø1.63mm (#14AWG)	C1 = 20µF	R1 = 2,0 ohms
L2=0,10mH - ø0,51mm (#24AWG)	C2 = 3,3µF	R2 = 2,2 ohms
L3=0,22mH - ø0,64mm (#22AWG)	C3 = 9µF	R3 = 8,0 ohms
Air-core	C4 = 20µF	Metalic oxide or non-inductive wire wound
	C5 = 2,2µF	
	Polypropylene or polyester foil	